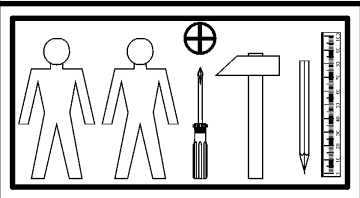
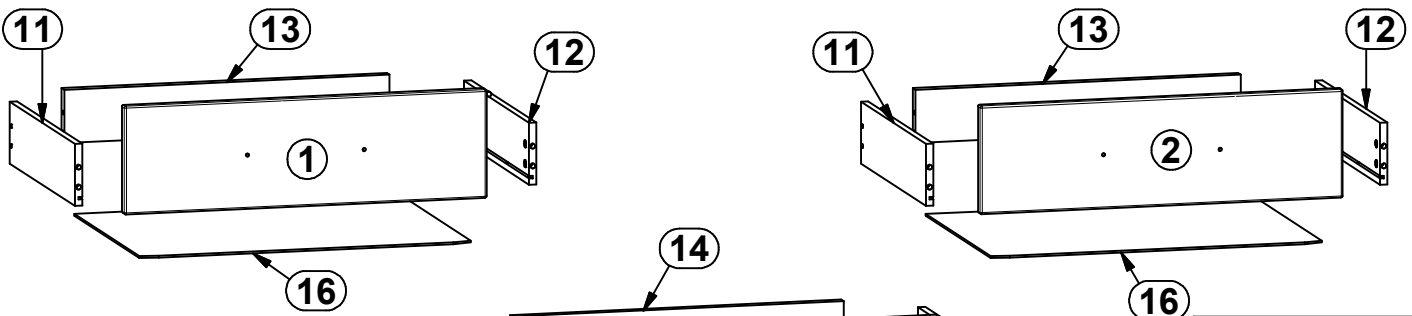
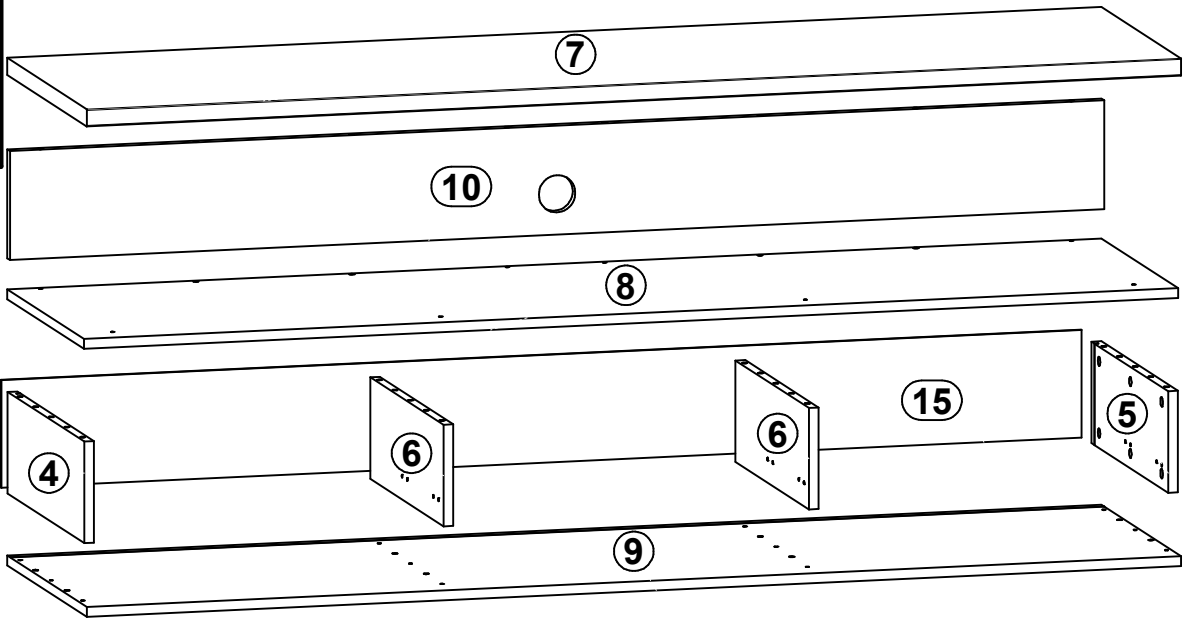
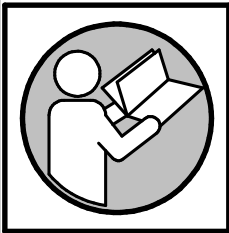
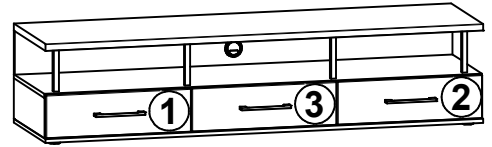


10 30 WW 30/34

S117-RTV3S/4/18

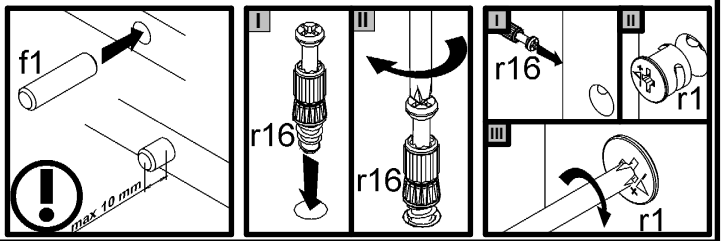
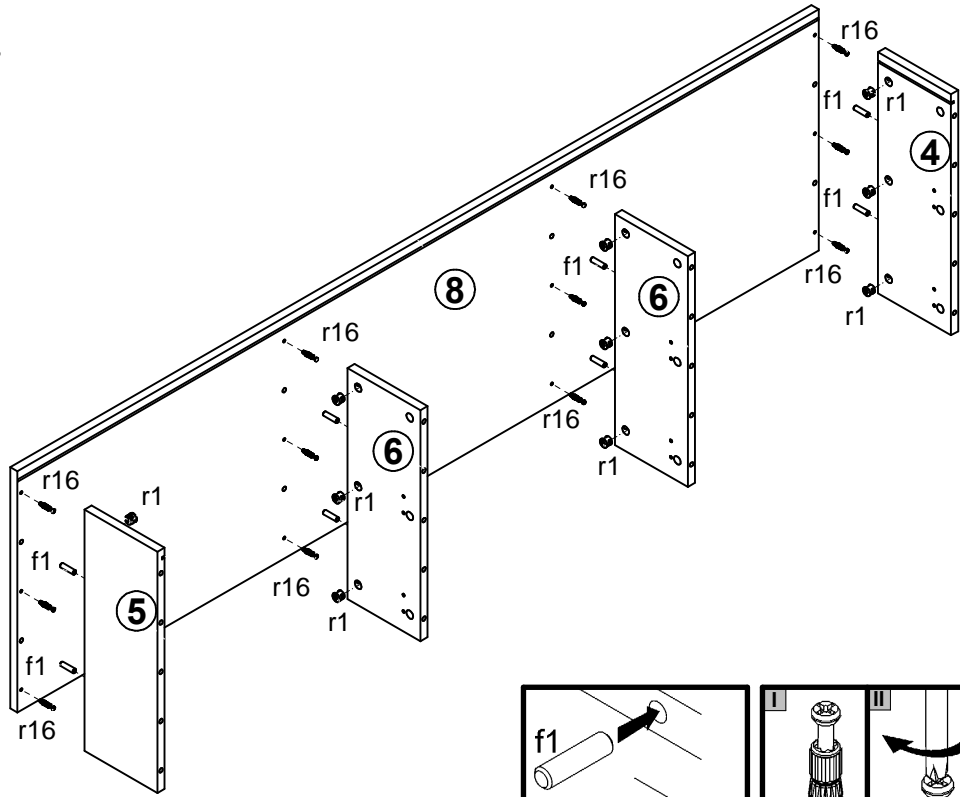
10 30 NW 30

A	B	C	D	A	B	C	D		
1	S117-006	596	175	2/2	10	S117-401	1800	176	2/2
2	S117-007	596	175	2/2	11	S117-504	400	100	2/2
3	S117-008	596	175	2/2	12	S117-505	400	100	2/2
4	S117-103A	164	470	2/2	13	S117-506	535	86	2/2
5	S117-104A	164	470	2/2	14	S117-509	545	86	2/2
6	S117-105A	164	450	2/2	15	S117-903	1777	174	1/2
7	S117-203A	1800	488	1/2	16	S117-905	545	406	2/2
8	S117-204B	1800	470	2/2	17	S117-908	555	406	2/2
9	S117-205A	1800	488	1/2					

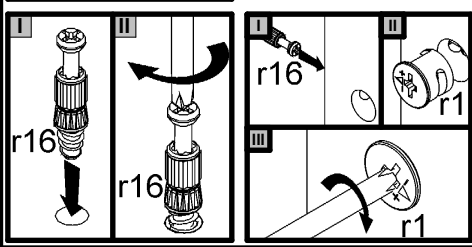
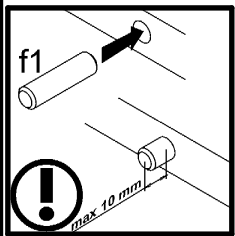
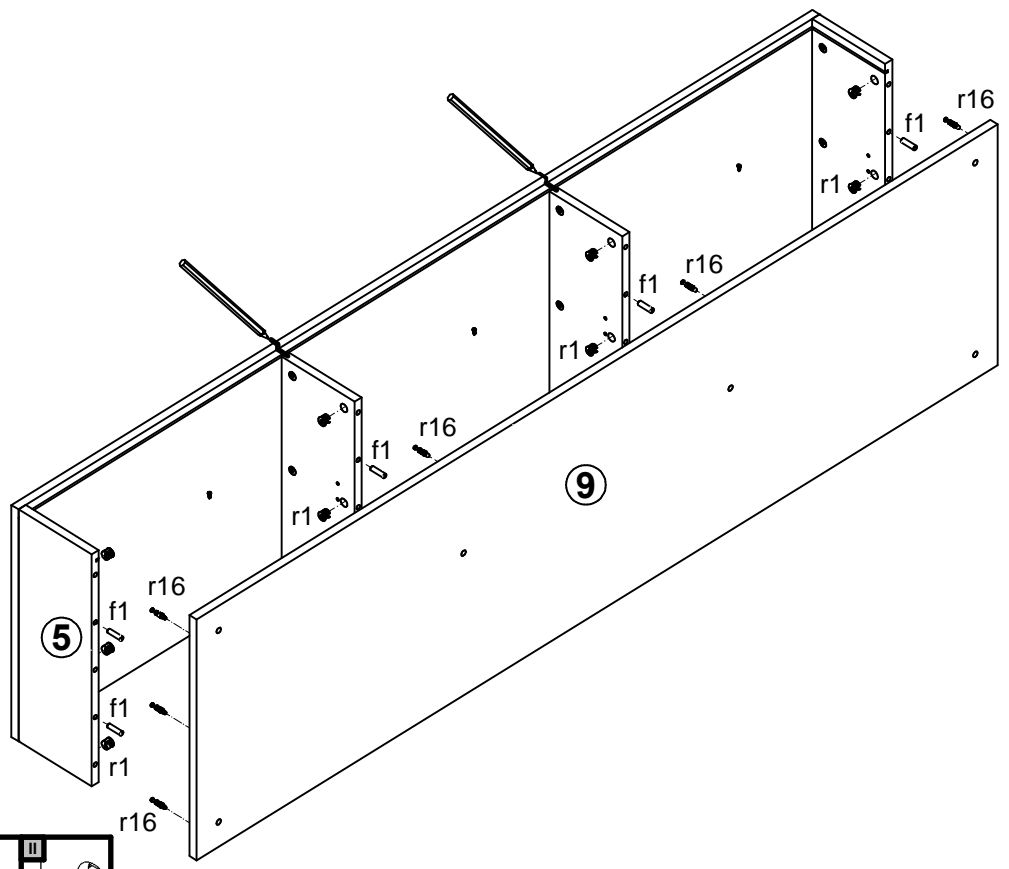


3x c306	4x d24/6	24x φ6x13 mm e3	24x φ8x30 mm f1	12x φ6.5x40 mm f25	6x M4x25 mm j8	6x k43	4x l1	8x l2
6x silikon o21	3x φ3.5x16 mm p25	3x φ3.5x10 mm p35	12x φ3.5x16 mm p38	32x φ1.5x12mm #16 r1	20x φ12x10.5mm #12 r15	52x r16	3x 400 mm t33	3x 400 mm w78/L
3x 400 mm w78/P	4x ø16 s2	1x ø60 s3						

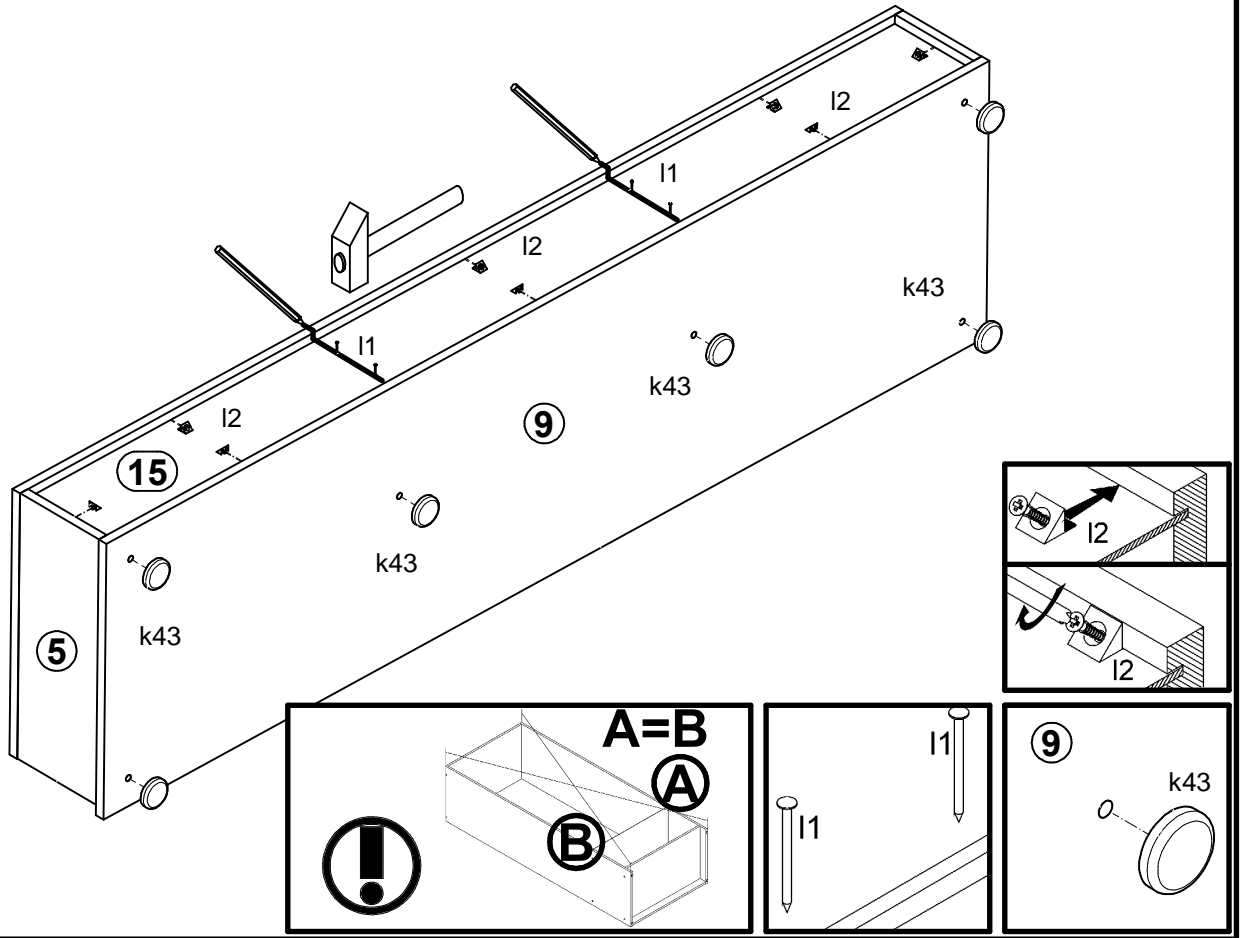
1



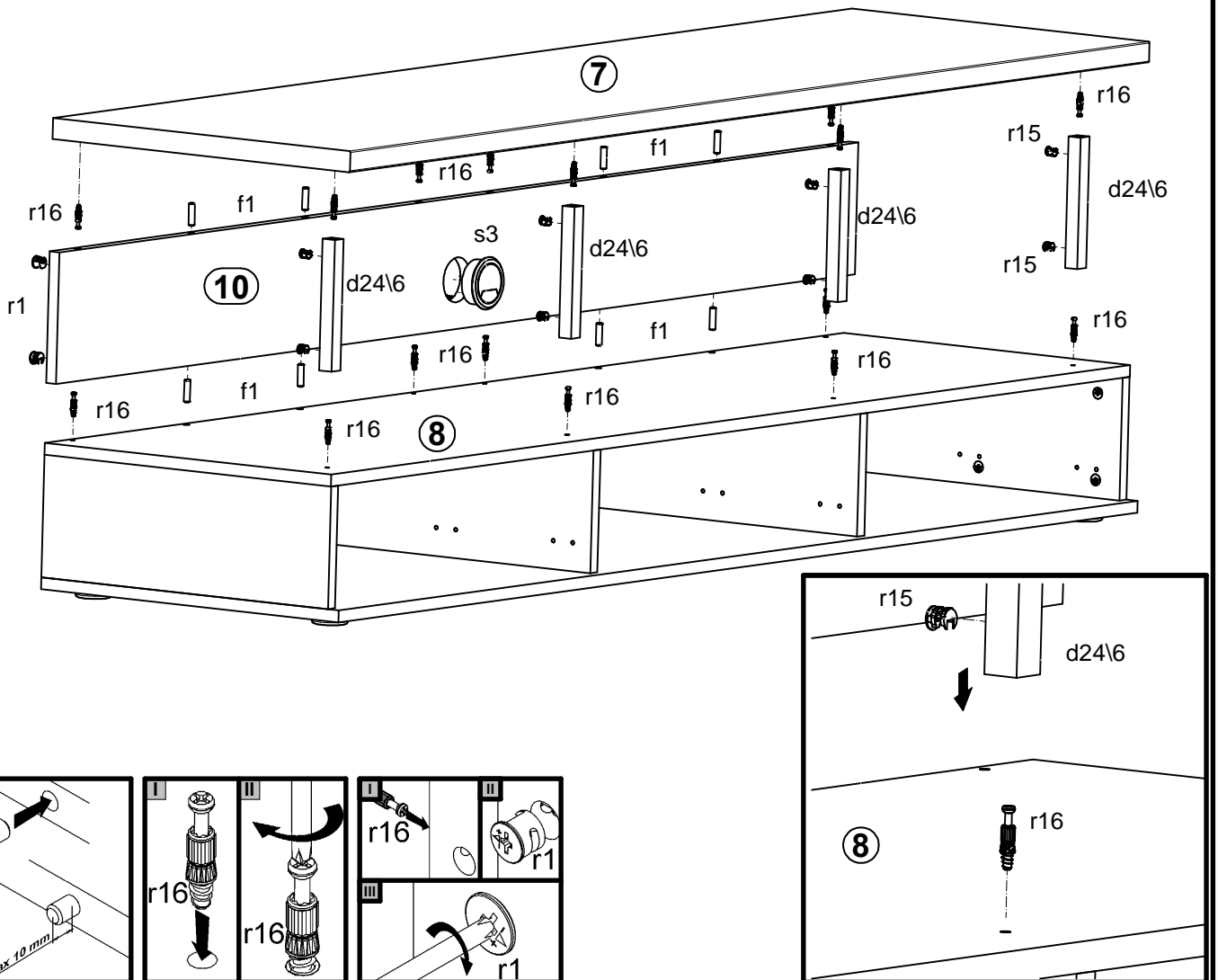
2



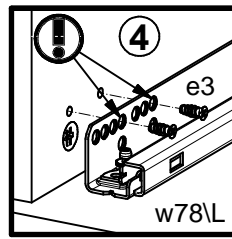
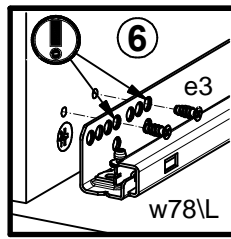
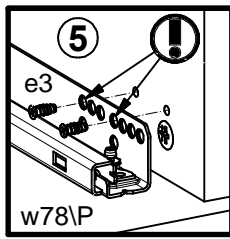
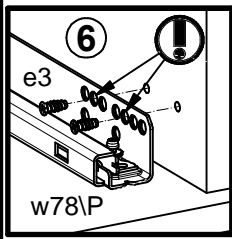
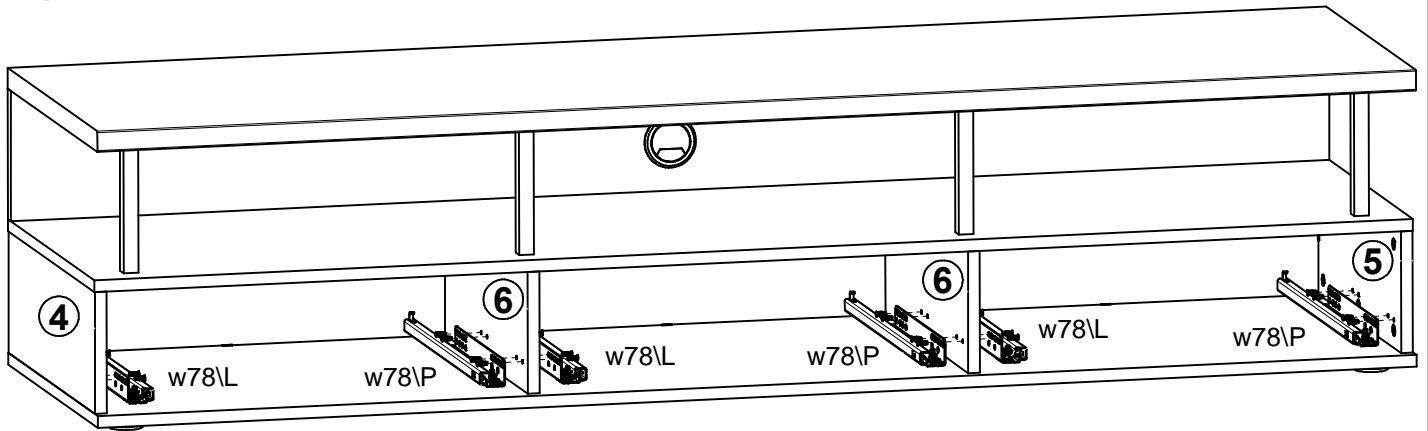
3



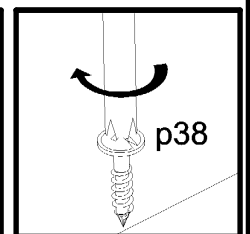
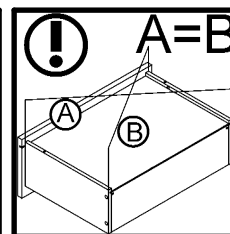
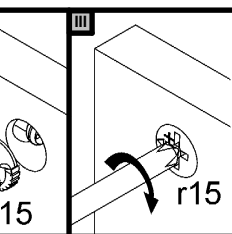
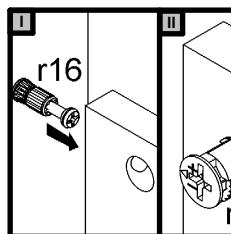
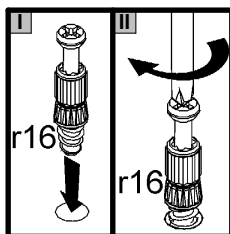
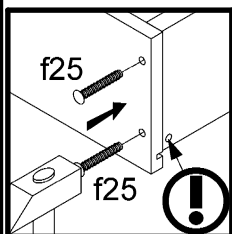
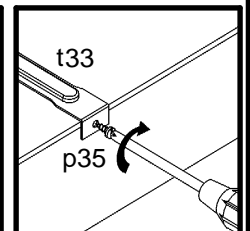
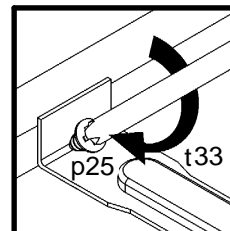
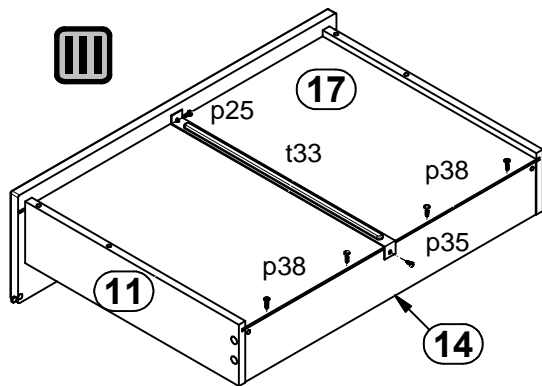
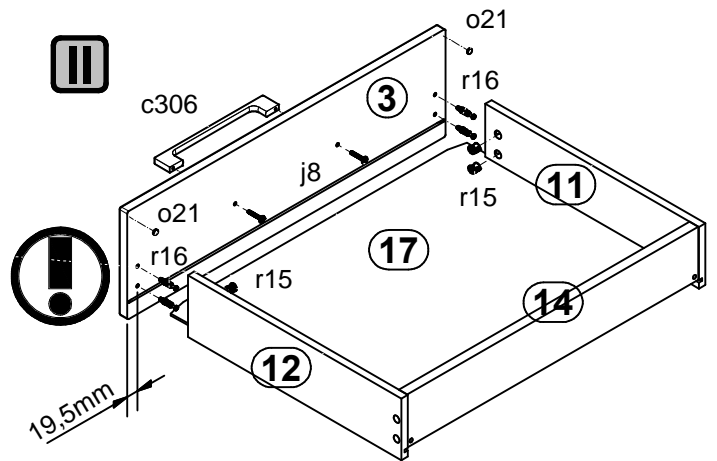
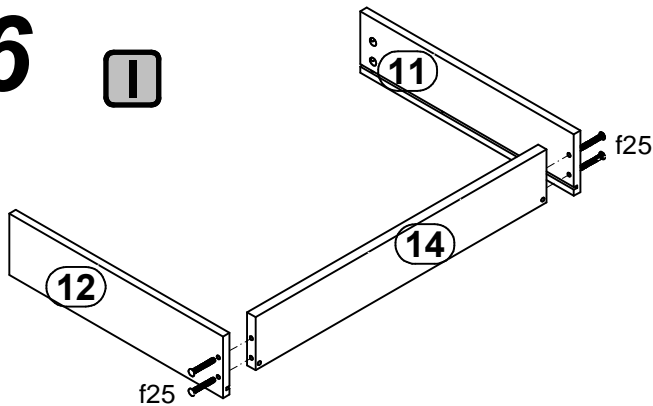
4



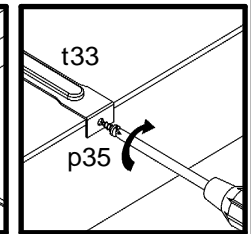
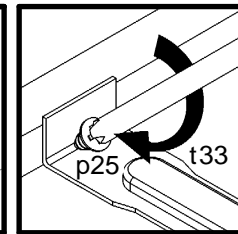
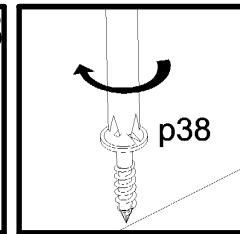
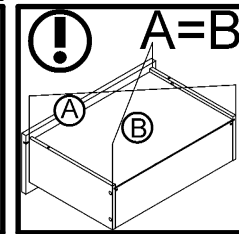
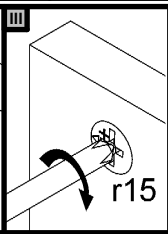
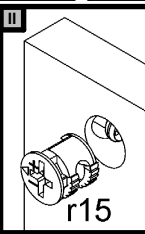
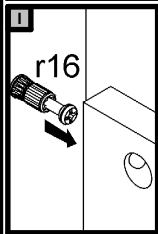
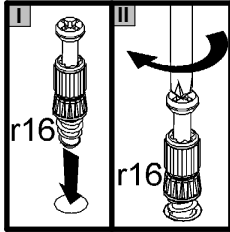
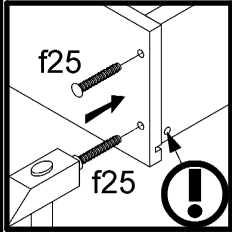
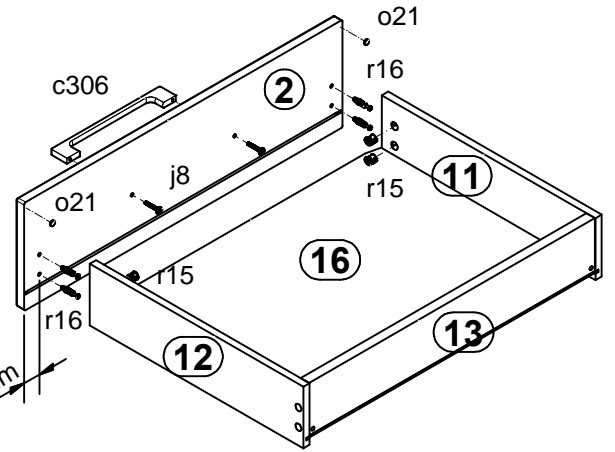
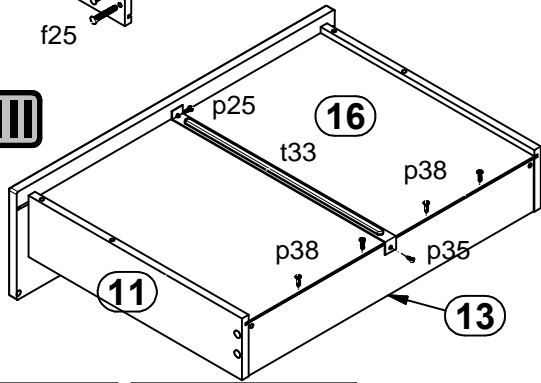
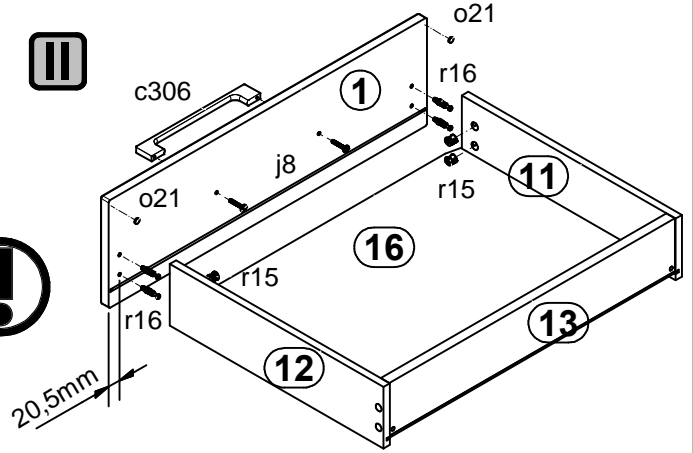
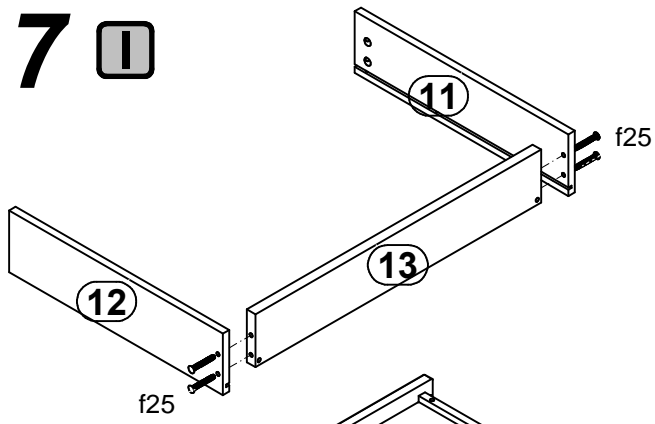
5



6



7



8

